

## POWER INFORMATION

Input Voltage: 100-240 V AC  
Input Frequency: 50/60 Hz  
Power Supply Output Voltage: 12 V DC  
Amperage: 0.800 A  
Electric Consumption: 9.6 W  
Power Supply Capacity: 2.08 A

## SIZING INFORMATION

-see Owner's Manual for more details-  
PR-05: 500 ft<sup>2</sup>  
PR-10: 1000 ft<sup>2</sup>  
PR-20: 2000 ft<sup>2</sup>  
PR-30: 3000 ft<sup>2</sup>

## FEATURES

Universal Power Supply  
Adjustable Output  
Remote Control  
Optional Wall Mount Kit  
Portable, Space Saving Design

## APPLICATIONS

Animal Odor Removal  
Care Homes/Nursing Homes  
Food Odor Removal  
Garbage/Rubbish Collection  
Gymnasiums  
Odor Abatement  
Smoke Removal

## WARRANTY

Warranty valid in United States and Canada.  
Contact factory for warranty in other countries.  
One year Parts and Labor on entire unit.

Product Certifications:



## AirCare PR System



PR-30  
Top View Shown

- Eliminate odors, smoke, and chemicals
- Reduce bacteria, viruses, mold, and other micro-contaminants
- Improve the hygiene in the air and on surfaces
- Certified to be safe, proven to be effective
- Portable or fixed installations - take it wherever you go
- Completely automated and chemical-free
- Maintenance free – requires simple annual UV lamp replacement

© BioZone Scandinavia AB.

Smedbyvägen 4  
18432 Åkersberga, Sweden  
+46 8 54064045, +46707330414  
info@biozone.se, www.biozone.se



# BioZone®

**AirCare PR 05, 10, 20, 30**  
**Product Family: AirCare**  
**Model: PR-05, PR-10, PR-20, PR-30**  
**Description: Air and Surface Purifier**

## REORDER INFORMATION

### Replacement UV Lamps

PR-05: 10-08010  
 PR-10: 10-08025  
 PR-20: 10-08050  
 PR-30: 10-08100

## SPECIFICATIONS

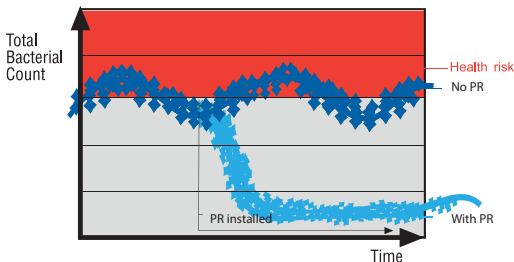
Length: 10.6"  
 Width: 4.0"  
 Height: 8.6"  
 Weight: 3.85 lbs  
 Power Cord Length: 8'

## CONTENTS

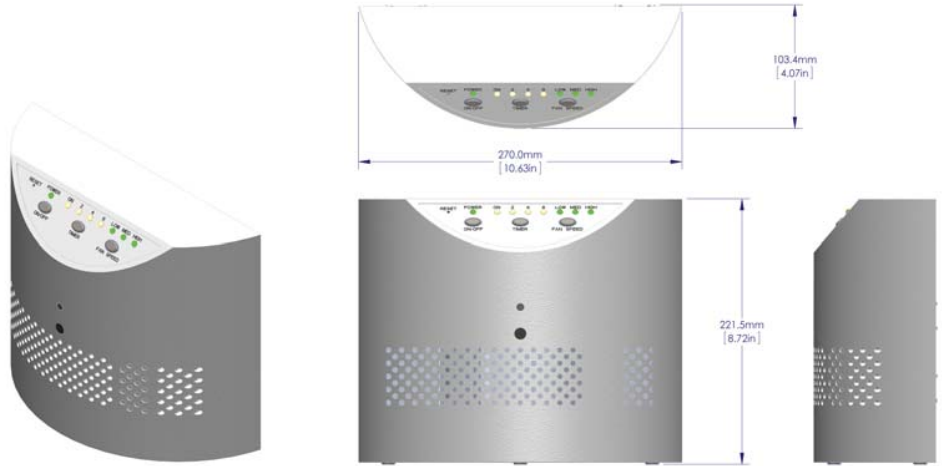
AirCare  
 Remote Control  
 UV Lamp (pre-installed)  
 Owner's Manual and Installation Guide  
 Wall Anchor (optional)  
 Mounting Screws (optional)

## Validation Studies

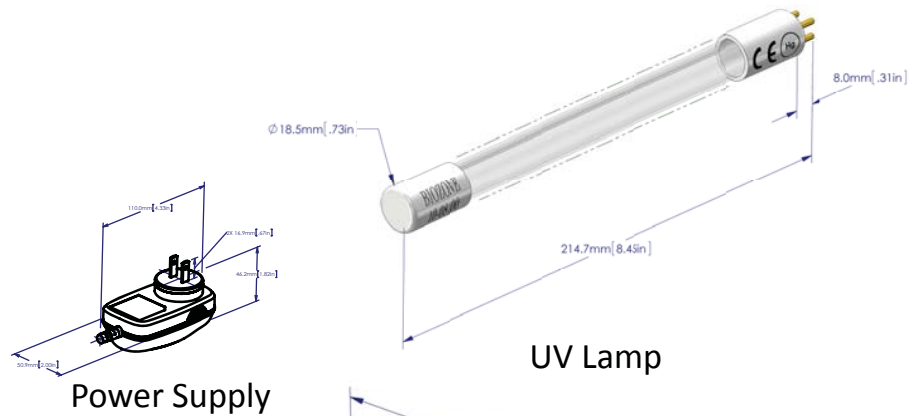
BioZone Technology is shown to reduce:  
 >99.999% of surface E. coli<sup>1,2</sup>  
 >99.999% of surface Listeria<sup>2</sup>  
 100% of surface Salmonella<sup>2</sup>  
 98.24% of airborne bacteria<sup>3</sup>  
 100% of airborne H<sub>2</sub>S<sup>4</sup>  
 >99.999 of Avian Influenza Virus (H5N2)<sup>5</sup>  
 >99.999 of Parainfluenza Virus (hPIV-3)<sup>5</sup>



1 Test performed by Pennsylvania State University  
 2 Test performed by Tri-Tech Analytical Laboratories  
 3 Test performed by LAWN Environmental Ltd  
 4 Test performed by SMQ Academy  
 5 Test performed by CNRS

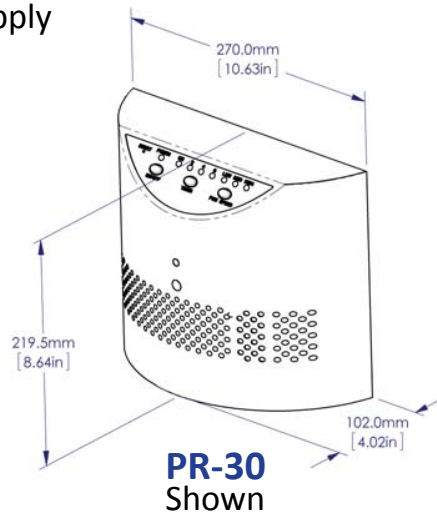


**PR-30**



**Power Supply**

**UV Lamp**



**PR-30  
Shown**

© BioZone Scandinavia AB.

Smedbyvägen 4  
 18432 Åkersberga, Sweden  
 +46 8 54064045, +46707330414  
 info@biozone.se, www.biozone.se

